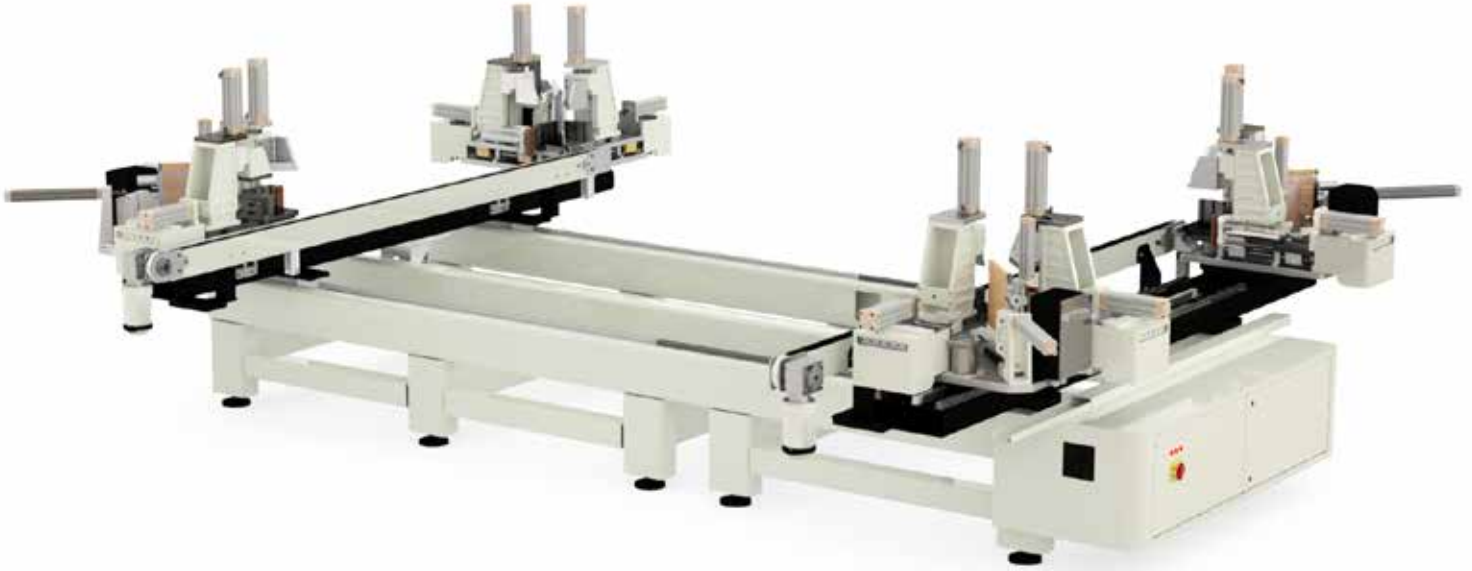


# ORION - IV SN

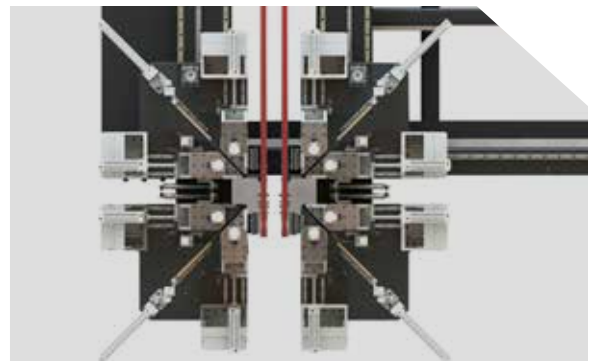
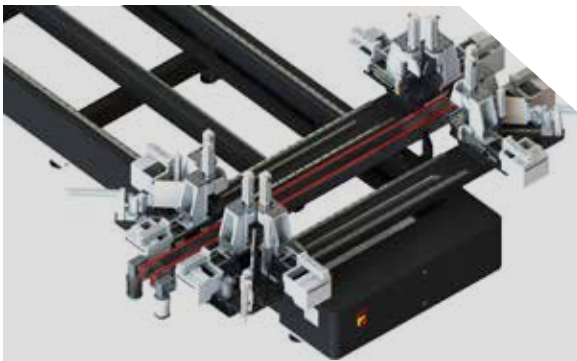
Automatic Four Head Seamless-Standard PVC Welding Machine

**OZ MACHINE**

PVC



**The PLC controlled automatic four head seamless-normal welding machine is designed for simultaneous welding of all four corners of plastic profiles. Providing the ability to accomplish seamless and normal welding with a single motion, ORION - IV SN attracts attention with its user-friendliness and high processing capacity.**



# ORION - IV SN

Automatic Four Head Seamless-Standard PVC Welding Machine



## FEATURES

Used for welding four corners of plastic profiles.

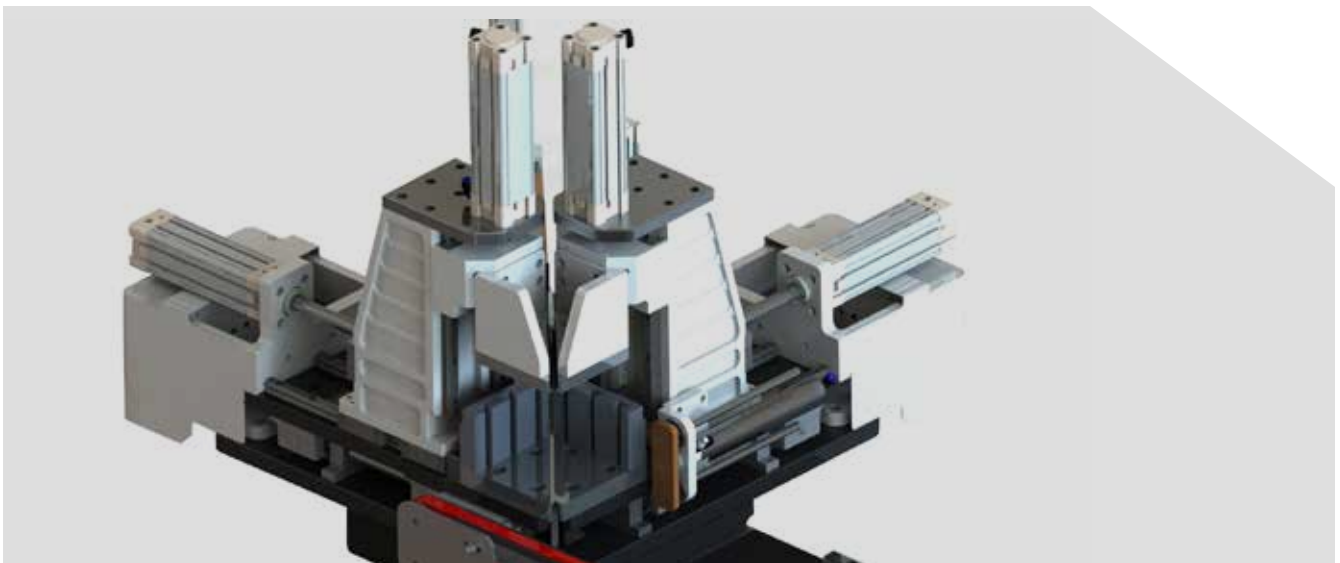
- » Pneumatic motion
- » Automatic frame output unit
- » Process programming and large memory
- » Safe working area with safety barrier
- » Welding time adjustment and digitally controlled heating
- » Temperature adjustment between 0 °C and 350 °C with electronic thermostat
- » One button replacement of welding system
- » Portable touchscreen control panel
- » Quick and easy to replace welding mold system
- » Batch processing and precision measurement with PLC control system

## OPERATIONAL EQUIPMENT

- » Touchscreen control panel ●
- » Barcode system ○
- » Special Mold ○
- » USB port ●
- » Remote access ●
- » Portable, touchscreen control panel ●
- » Ventilated electrical cabinet ●
- » Safety guard ●

○ Optional

● Included



# ORION - IV SN

Automatic Four Head Seamless-Standard PVC Welding Machine

**OZ MACHINE**

PVC

## WELDING UNIT FRAME DIMENSIONS

Min. Profile Height	30 mm
Max. Profile Height	150 mm
Min. Frame Dimensions	470 mm x 570 mm
Max. Frame Dimensions	2000 mm x 3400 mm
Max. Profile width	125 mm

## POSITIONING SPEED

X Axis (Longitudinal)	40 m/min
Y Axis (Lateral)	30 m/min

## CONTROL UNIT

PLC control unit	●
USB port	●
Remote access	●
Portable, touchscreen control panel	●
Ventilated electrical cabinet	●

## WELDING RANGE

Automatic frame output unit	●
Welding burr size	0.2 mm / 2 mm

## ELECTRICAL

Power	30.4 kVa
Voltage	400V 3N PE AC
Frequency	50-60Hz

○ Optional

● Included

